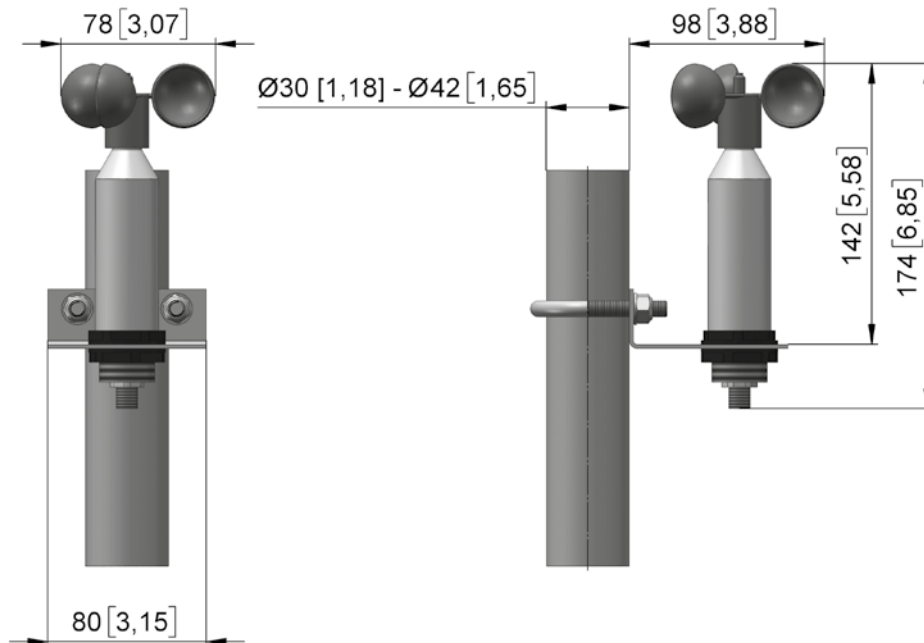


WST 15 // Wind sensor



WST 15
Wind sensor

- Wind sensor with 5 m cable for connection to ventilation controllers LSR 25 and LSR 35.
- The integrated heating also guarantees functionality in snow and ice.
- Easy to install with plug-in connection and signal cable.
- Scope of delivery: wind sensor with mounting bracket and stirrup bolt (without tube).



mm [inch]

Version	Type no.	U [V]	m [kg]
WST 15.1002	30515.1002.0101	24	0,6