

EWA 14 // Power drive

350–600 Nm



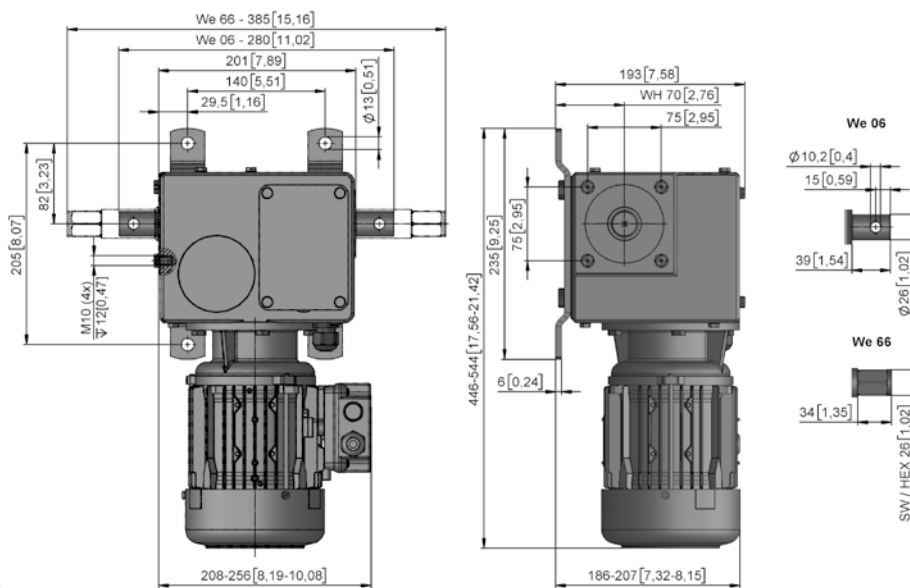
- Extremely quiet, self-locking double worm gear unit with long service life, maintenance-free. Fast version EWA 14.2539 and EWA 14.2060 without self-locking.
- Universal mounting with standard at back or optional on side left (symmetrical)! Removable feet.
- Installed precision END 20 gear limit switch for 580 shaft revolutions (microswitch in cURus).
- Optional LSC 40.10 AC or DC control unit incl. additional limit switch. Wire up using a 7-core cable.
- Quality motors, multi-range voltage (IEC 38) for 50 Hz (400 V 3~ // 230 V 1~) and 60 Hz (208 V 3~ // 480 V 3~ as well as 240 V 1~ in cURus). IP55, Th.Cl.F, S3-40%.
- Coil protection contact integrated on all single-phase motors. Turnkey with cable.
- Hex shaft We 66, up to 450 Nm also available with round We 06 shaft (then position drive unit centrally!).

Options when using the END 20.20:

- On 60 Hz versions, the END 20.40 additional limit switch is standard equipment.
- Additional limit switch END 20.40.
- Position sensor PAR 06 or PAR 10.

Options when using LSC 40.10:

- LPR 02 position sensor for analogue signal, LPR 04 for digital signal.



mm [inch]

EWA 14

350–600 Nm





We 06
WL 280 mm



We 66
WL 385 mm

→ Tabelle Teil 1 von 2

Version	We 06	We 66	T [Nm]	n [1/min]	I [A]	P [kW]	m We 06 [kg]	m We 66 [kg]
	Type no.	Type no.						
400 V 3~, 50 Hz – Keine Selbsthemmung								
EWA 14.2539	–	12214.2539.66	250	39,0	4,30	2,44	–	35,0
EWA 14.2060	–	12214.2060.66	200	60	5,26	2,79	–	35,8
230 V 1~, 50 Hz								
EWA 14.2013	12214.2013.0625		200	13	6,35	2,45	27,8	
380 V 3~, 50Hz CCC								
EWA 14.4503	–	12214.4503.6647	450	3,2	1,4	0,63	–	26,3
EWA 14.4505	–	12214.4505.6647	450	4,4	1,6	0,72	–	26,5

EWA 14

350–600 Nm





We 06
WL 280 mm



We 66
WL 385 mm

Version	We 06	We 66	T [Nm]	T [in.-lb]	n [1/min]	I [A]	P [kW]	m We 06 [kg]	m We 66 [kg]
	Type no.	Type no.							
240 V 1~, 60 Hz, cURus									
EWA 14.2013	12214.2013.0637		200	1800	13	5,7	2,32	27,8	
600 V 3~, 60 Hz, cURus									
EWA 14.4503	–	12214.4503.6668	450	4000	3,8	1,3	1,03	–	26,3
EWA 14.4505	–	12214.4505.6668	450	4000	5,2	1,4	1,11	–	26,3
EWA 14.6003	–	12214.6003.6668	600	5300	3,8	1,4	1,18	–	26,3
EWA 14.6005	–	12214.6005.6668	600	5300	5,2	1,7	1,43	–	27,6