

EWA 16 // Power drive

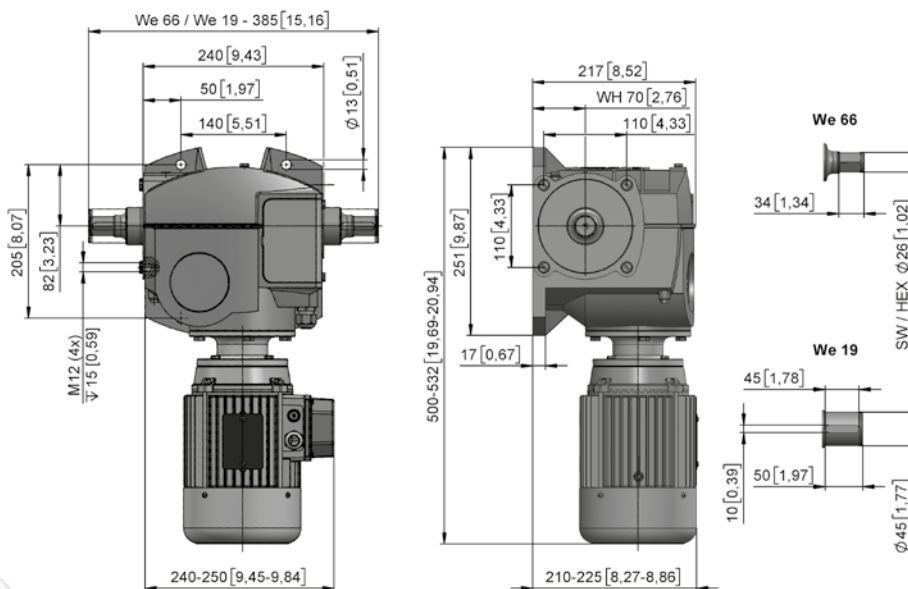
900–2000 Nm



- Extremely quiet, self-locking double worm gear unit with long service life, zero maintenance.
- Universal assembly with standard mounting at back or on side left (symmetrical)!
- Installed precision END 20 gear limit switch for 395 shaft revolutions (microswitch in cURus). END 20.40 auxiliary limit switch fitted as standard!
- Quality motors, multi-range voltage (IEC 38) for 50 Hz (400 V 3) and 60 Hz (208 V 3- // 480 V 3- in cURus). IP55, Th.Cl.F, S3-40%.
- We 19 key spring shaft, up to 1200 Nm also with We 66 hex shaft (then place the drive in the center of the system, decrease of torque must be equal at both shaft ends).

Options:

- On 60 Hz versions, the END 20.40 additional limit switch is standard equipment.
- Additional limit switch END 20.40.
- Position sensor PAR 06 or PAR 10.



mm [inch]

EWA 16

900–2000 Nm



Version	We 66	We 19	T [Nm]	n [1/min]	I [A]	P [kW]	m We 66 [kg]	m We 19 [kg]
	Type no.	Type no.						
400 V 3~, 50 Hz								
EWA 16.9003	12216.9003.6601	–	900	2,4	1,70	0,87	41,7	–
EWA 16.9005	12216.9005.6601	–	900	4,9	2,90	1,81	42,3	–
EWA 16.9203	12216.9203.6601	12216.9203.1901	1200	2,4	2,50	1,35	42,1	42,8
EWA 16.9205	12216.9205.6601	12216.9205.1901	1200	4,9	4,90	2,31	46,3	47,0
EWA 16.9503	–	12216.9503.1901	1500	2,4	2,80	1,61	–	46,0
EWA 16.9505	–	12216.9505.1901	1500	4,9	5,20	2,74	–	47,0
EWA 16.9703	–	12216.9703.1901	2000	2,4	3,70	2,23	–	49,9

Version	We 66	We 19	T [Nm]	T [in.-lb]	n [1/min]	I [A]	P [kW]	m We 66 [kg]	m We 19 [kg]
	Type no.	Type no.							
208 V 3~, 60 Hz, cURus									
EWA 16.9005	12216.9005.6611	–	900	8000	5,8	6,50	2,06	44,9	–
EWA 16.9205	12216.9205.6611	12216.9205.1911	1200	10600	5,8	7,90	2,59	44,9	45,6
480 V 3~, 60 Hz, cURus									
EWA 16.9003	12216.9003.6616	–	900	8000	2,9	2,10	1,19	41,9	–
EWA 16.9005	12216.9005.6616	–	900	8000	5,8	4,60	2,29	44,9	–
EWA 16.9205	12216.9205.6616	12216.9205.1916	1200	10600	5,8	5,00	2,70	44,9	45,6
EWA 16.9505	–	12216.9505.1916	1500	13300	5,8	5,20	3,03	–	45,6
600 V 3~, 60 Hz, cURus									
EWA 16.9003	12216.9003.6668	–	900	8000	2,9	1,3	1,07	–	41,9
EWA 16.9005	12216.9005.6668	–	900	8000	5,8	3,9	2,11	–	44,9
EWA 16.9205	12216.9205.6668	12216.9205.1968	900	8000	5,8	4,2	2,66	44,9	45,6
EWA 16.9505	–	12216.9505.1968	900	8000	5,8	4,6	3,25	–	45,6