

EWA 52 // PowerDrive 250–600 Nm



- Extremely quiet, self-locking double worm gear unit with integrated limit switch and long service life, maintenance-free.
- Universal mounting thanks to standard rear or side mounting.
- End position switch-off via LSC 40 AC/DC control unit including additional limit switch. Additional limit switch. Optional precision gear limit switch END 20 for 580 shaft revolutions.
- Quality motors available for many main voltages.
- Single-phase motors pre-wired with connection cable and integrated winding protection contact.
- Ambient temperature -5°C to $+60^{\circ}\text{C}$, option A60 for low temperature applications below -5°C .
- Protection class IP 55.
- Duty cycle S3-40%.
- Installation compatible with EWA 14.

Options when using LSC 40.10:

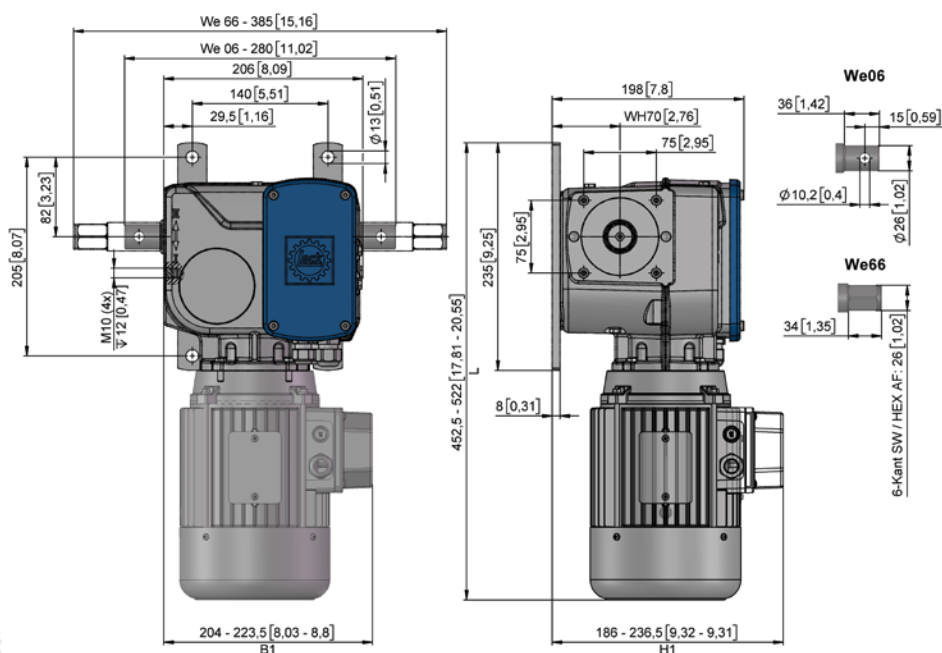
- Position indicator LPR 02 for analog signal 0-10 V or 4-20 mA, LPR 04 for digital signal (incremental).

Options when using END 20:

- Additional limit switch END 20.40.
- Position indicator PAR 06 (potentiometer) or PAR 10 (0-10 V or 0-5 V).

Options for pre-wired actuators:

- Connection cable with special coating for UL/CSA-compliant outdoor installation (North America).



mm [inch]

EWA 52

250–600 Nm



Version	We 06	We 66	T [Nm]	n [1/min]	I [A]	P [kW]	m We 06 [kg]	m We 66 [kg]
	Type no.	Type no.						
400 V, 3~, 50 Hz								
EWA 52.1509	12528.1509.12	12528.1509.32	150	8,8	1,30	0,70	27	27,7
EWA 52.2501	12528.2501.12	12528.2501.32	250	1,6	1,00	0,43	27,7	28,4
EWA 52.2503	12528.2503.12	12528.2503.32	250	3,2	1,10	0,47	27,7	28,4
EWA 52.2505	12528.2505.12	12528.2505.32	250	4,4	1,20	0,52	27,7	28,4
EWA 52.2509	12528.2509.12	12528.2509.32	250	8,8	2,20	1,14	28,3	29
EWA 52.3503	12528.3503.12	12528.3503.32	350	3,2	1,50	0,86	27,7	28,4
EWA 52.3505	12528.3505.12	12528.3505.32	350	4,4	1,60	0,92	27,7	28,4
EWA 52.4501	12528.4501.12	12528.4501.32	450	1,6	1,10	0,47	27,7	28,4
EWA 52.4503	12528.4503.12	12528.4503.32	450	3,2	1,65	0,95	27,7	28,4
EWA 52.4505	12528.4505.12	12528.4505.32	450	4,4	1,80	1,04	27,7	28,4
EWA 52.4509	–	12528.4509.32	450	8,8	2,75	1,42	–	29
EWA 52.6003	–	12528.6003.32	600	3,2	1,80	1,04	–	28,4
EWA 52.6005	–	12528.6005.32	600	4,4	2,20	1,27	–	28,4
230 V, 1~, 50 Hz								
EWA 52.2501	12528.2501.11	12528.2501.31	250	1,6	2,90	0,64	28	28,7
EWA 52.2503	12528.2503.11	12528.2503.31	250	3,2	3,20	0,71	28	28,7
EWA 52.2505	12528.2505.11	12528.2505.31	250	4,4	3,50	0,77	28	28,7
EWA 52.3503	12528.3503.11	12528.3503.31	350	3,2	4,70	0,96	28,8	29,5
EWA 52.3505	12528.3505.11	12528.3505.31	350	4,4	5,00	1,02	28,8	29,5
EWA 52.4501	12528.4501.11	12528.4501.31	450	1,6	3,20	0,71	28,8	29,5
EWA 52.4503	12528.4503.11	12528.4503.31	450	3,2	4,90	1,00	28,8	29,5



Version	We 06	We 66	T [Nm]	T [in.-lb]	n [1/min]	I [A]	P [kW]	m We 06 [kg]	m We 66 [kg]	
	Type no.	Type no.								
120 V, 1~, 60 Hz										
EWA 52.2501	12528.2501.13	–	250	2200	2,0	7,00	0,75	28,6	–	
EWA 52.2503	12528.2503.13	–	250	2200	3,8	7,80	0,81	28,6	–	
240 V, 1~, 60 Hz										
EWA 52.2501	12528.2501.14	–	250	2200	2,0	3,40	0,78	28,8	–	
EWA 52.2503	12528.2503.14	–	250	2200	3,8	3,80	0,87	28,8	–	
EWA 52.2505	12528.2505.14	–	250	2200	5,2	4,25	1,00	28,8	–	
EWA 52.3503	12528.3503.14	12528.3503.34	350	3100	3,8	4,70	0,87	28,8	29,5	
EWA 52.3505	–	12528.3505.34	350	3100	5,2	4,85	1,03	–	29,5	
EWA 52.4503	12528.4503.14	12528.4503.34	450	4000	3,8	4,85	0,89	28,8	29,5	
208 V, 3~, 60 Hz										
EWA 52.2501	12528.2501.15	–	250	2200	2,0	1,75	0,56	27,2	–	
EWA 52.2503	12528.2503.15	–	250	2200	3,8	2,10	0,67	27,2	–	
EWA 52.2505	12528.2505.15	–	250	2200	5,2	2,40	0,76	27,2	–	
EWA 52.3503	12528.3503.15	12528.3503.35	350	3100	3,8	2,50	0,79	27,2	27,9	
EWA 52.3505	–	12528.3505.35	350	3100	5,2	3,10	0,98	–	27,9	
EWA 52.4503	12528.4503.15	12528.4503.35	450	4000	3,8	2,85	0,90	27,2	27,9	
EWA 52.4505	–	12528.4505.35	450	4000	5,2	3,80	1,13	–	29,2	
EWA 52.6003	–	12528.6003.35	600	5300	3,8	3,70	1,09	–	29,2	
480 V, 3~, 60 Hz										
EWA 52.2503	12528.2503.16	–	250	2200	3,8	1,45	0,78	27,2	–	
EWA 52.2505	12528.2505.16	–	250	2200	5,2	1,50	0,81	27,2	–	
EWA 52.3503	12528.3503.16	12528.3503.36	350	3100	3,8	1,50	0,81	27,2	27,9	
EWA 52.3505	–	12528.3505.36	350	3100	5,2	1,65	0,89	–	27,9	
EWA 52.4503	12528.4503.16	12528.4503.36	450	4000	3,8	1,60	0,86	27,2	27,9	
EWA 52.4505	–	12528.4505.36	450	4400	5,2	2,45	1,49	–	29,2	
EWA 52.6003	–	12528.6003.36	600	5300	3,8	2,30	1,49	–	29,2	
EWA 52.6005	–	12528.6005.36	600	5300	5,3	2,65	1,72	–	29,2	



Jonas Wagner // Order Management

"I am responsible for ensuring that our customers always receive their goods on the requested due date. In the last few years, we managed to maintain delivery rates and delivery capability at values above 98%."

