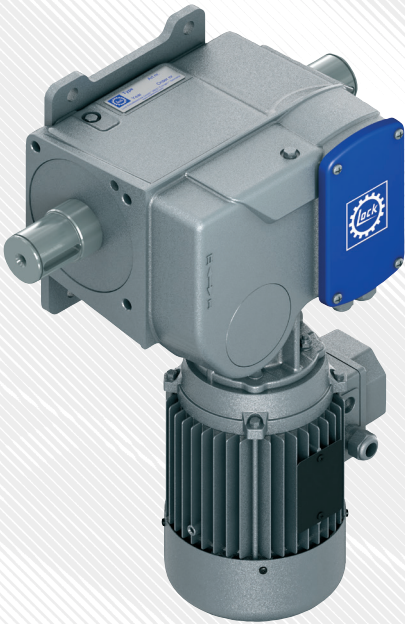
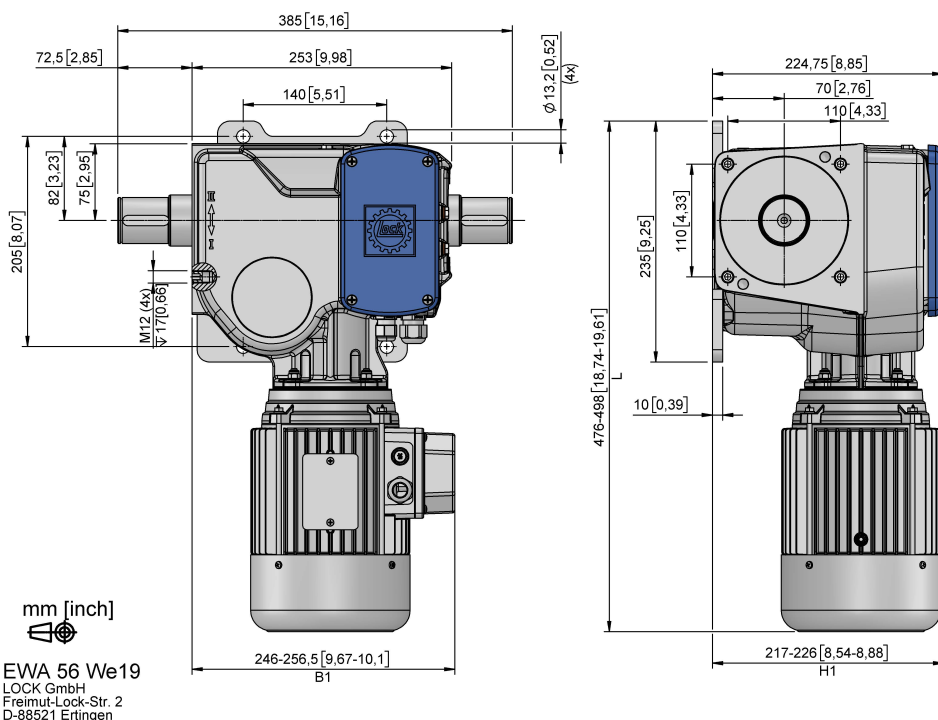


EWA 56 // PowerDrive

900–2000 Nm



- Extremely quiet, self-locking double worm gear unit with integrated limit stop and long service life, maintenance-free.
- Universal mounting with standard rear or side mounting on the side.
- End position switch-off via LSC 40 DC control unit including additional limit switch. Optional: END 20 precision gear limit switch for 580 shaft revolutions.
- Quality motors available for many mains voltages.
- Ambient temperature -5°C to $+60^{\circ}\text{C}$
- Protection class IP 55.
- Duty cycle S3-40%.
- Installation compatible with EWA 16.
- 20% lighter than comparable products.
- Flexible coupling selection thanks to standard shaft.
- **Options when using LSC 40.10:**
- Position feedback LPR 02 for analog signal 0-10V or 4-20 mA.
- Reduced installation time as no additional set-up is required.
- **Options when using END 20:**
- Additional limit switch END 20.40.
- PAR 06 position indicator (potentiometer).
- Position feedback unit PAR 10 for 0-10V or 0-5V.



EWA 56

900–2000 Nm



EWA 52 50 Hz						
Version	Type no.	T [Nm]	n [1/min]	P [kW]	I [A]	m We 19 [kg]
400 V 3~, 50 Hz						
EWA 56.9003	12568.9003.52	900	2,4	0,87	1,7	41,7
EWA 56.9005	12568.9005.52	900	4,9	1,81	2,9	42,3
EWA 56.9203	12568.9203.52	1200	2,4	1,35	2,5	42,8
EWA 56.9503	12568.9503.52	1500	2,4	2,74	2,8	46,0
EWA 56.9703*	12568.9703.52	2000*	2,4	2,23	3,7	49,9

* the use of EWA 56.9703 up to 2000 Nm is only permitted for shading!