

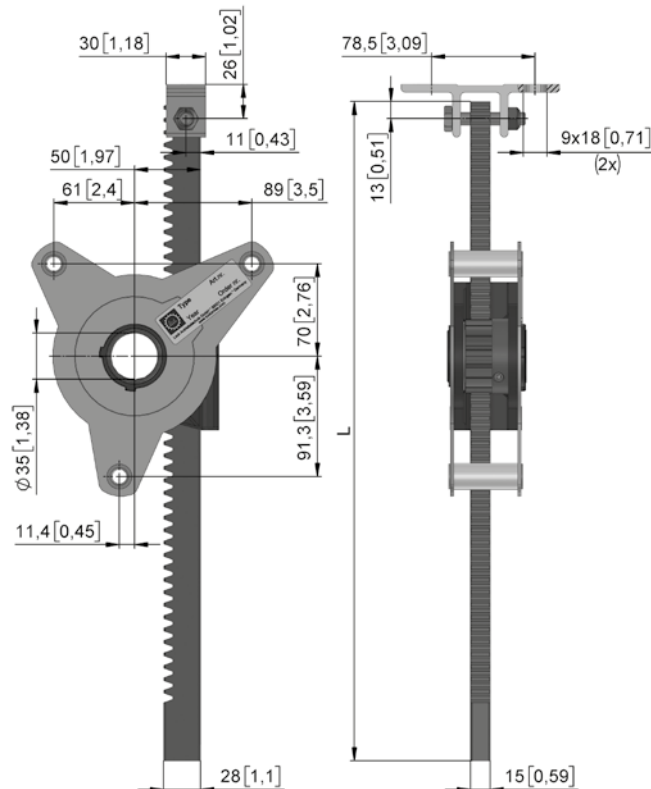
## ZSG 15 // Rack & pinion units 1200 N



- Compact rack & pinion units to actuate heavy panels. Ideal for assembly-friendly problem-solving!
- Typical applications: Ventilation in wide-span greenhouses (double-glazing with just one gear rack per girder division), large primary or secondary roof ridges in animal shed construction.
- Steel housing with rack guide made of special anti-friction material, rack pivotable through 55°. Drive pinion for 1" tube is also mounting for drive tube. No further bearings required!
- Window bracket in scope of supply.
- Rack and pinion made of steel.
- Stroke lengths of 600–1800 mm. Special lengths on request.
- Fast assembly with clamping ring and safety screws.
- Rack grease LUB 20 in scope of supply.
- U-bracket accessory for length compensation in 175 mm lengths.

### Note:

- Tighten down U-bracket nut to 80 Nm!
- Tighten down clamping ring screws to 15 Nm.



mm [inch]

## ZSG 15 // Gear unit

1200 N



Version	Type no.	F [N]	v [mm/n]	r [mm]	m [kg]
ZSG 15.1201	61515.1201.00	1200	151	24	1,4

## ZSZ 15 // Rack

1200 N

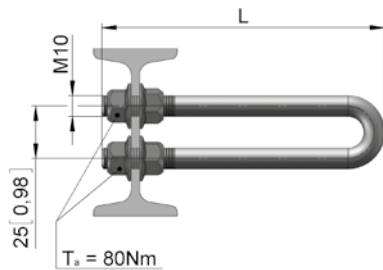


Version	Type no.	F [N]	H [mm]	L [mm]	m [kg]
ZSZ 15.0665	61515.1297.0665	1200	600	800	2,8
ZSZ 15.0865	61515.1297.0865	1200	800	1000	3,5
ZSZ 15.1065	61515.1297.1065	1200	1000	1200	4,2
ZSZ 15.1265	61515.1297.1265	1200	1200	1400	4,8
ZSZ 15.1465	61515.1297.1465	1200	1400	1600	5,5
ZSZ 15.1665	61515.1297.1665	1200	1600	1800	6,2
ZSZ 15.1865	61515.1297.1865	1200	1800	2000	6,9

## Accessories



Version	Type no.	Info	m [kg]
ZSG 15.9802	61515.1298.0201	U-bracket // L = 175 mm	0,3



mm [inch]