

→ SYSTEM-KIT 90000.0002.7541

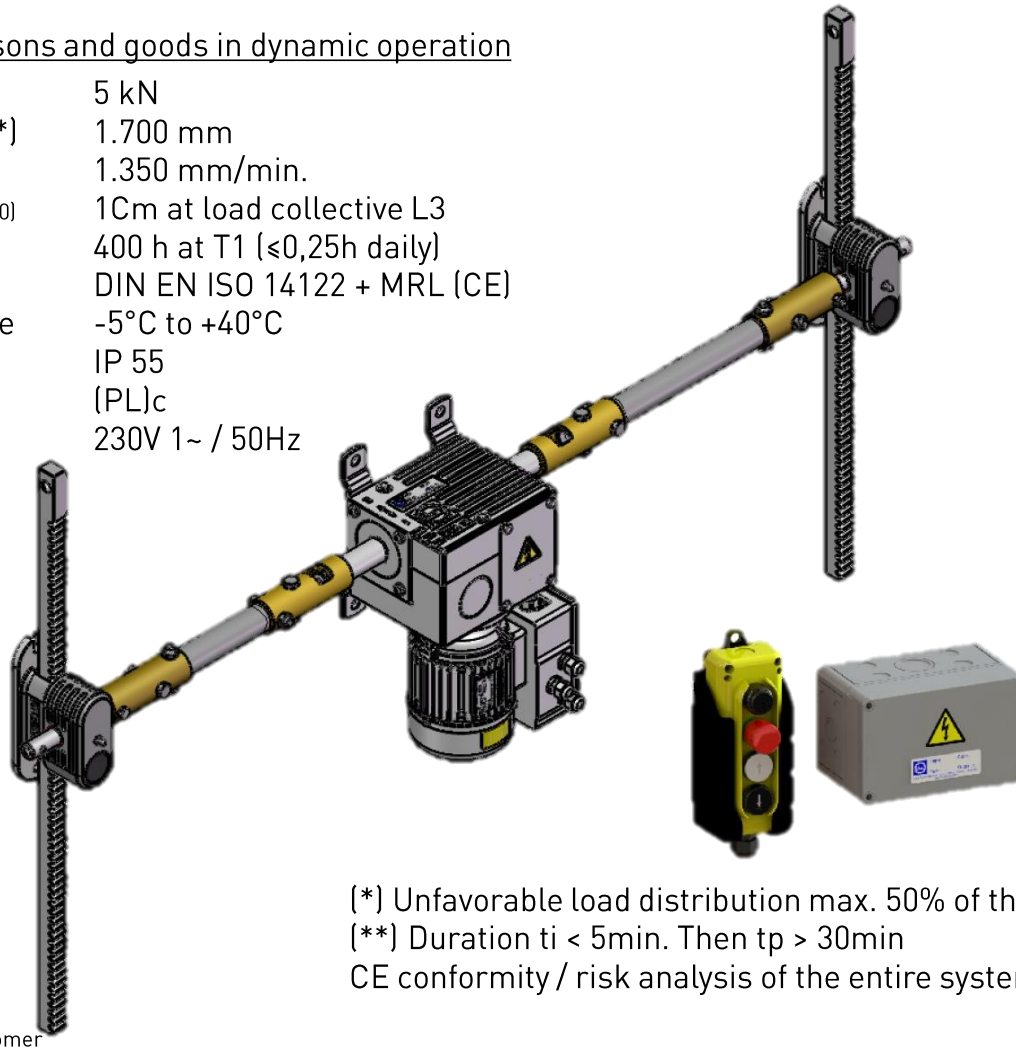


No Transport of persons and goods in dynamic operation

Lifting load max.	5 kN
Stroke length max. (*)	1.700 mm
Lifting speed appr.	1.350 mm/min.
Engine group (DIN 15020)	1Cm at load collective L3
Useful life (**)	400 h at T1 ($\leq 0,25$ h daily)
Operating standard	DIN EN ISO 14122 + MRL (CE)
Ambient temperature	-5°C to +40°C
Protection class	IP 55
Performance Level	(PL)c
Supply voltage	230V 1~ / 50Hz



No transport of persons
In dynamic mode



Connecting shaft
provided by the customer

(*) Unfavorable load distribution max. 50% of the lifting load each rack
(**) Duration $t_i < 5$ min. Then $t_p > 30$ min
CE conformity / risk analysis of the entire system is carried out by the customer